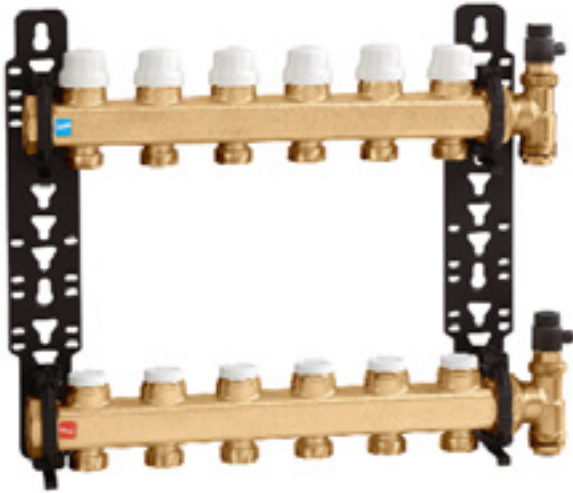




**Distribution manifold
for heating systems**

662 series



Function - Features

- used for the control and distribution of thermal medium in heating systems
- complete with shut-off valves fitted for thermo-electric actuator and built-in lockshield valves for flow rate adjustment
- modular manifolds with automatic alignment, thanks to the threaded connections with an O-ring seal
- rapid mounting, thanks to quick push-fit brackets and supports
- brackets with adjustable centre distance, for wall box and wall installation
- end fittings complete with manually operated air vents
- reduced head losses

- fixed set differential by-pass, with flexible hose suitable for various manifold centre distances (optional)

Product range

662 series Distribution manifold with 2 to 13 branches. size 1" - outlets 3/4".

Code **662000** Fixed set differential by-pass with flexible hose for 662 series manifold.

662 series

Reference documentation:



Technical specifications

Performance

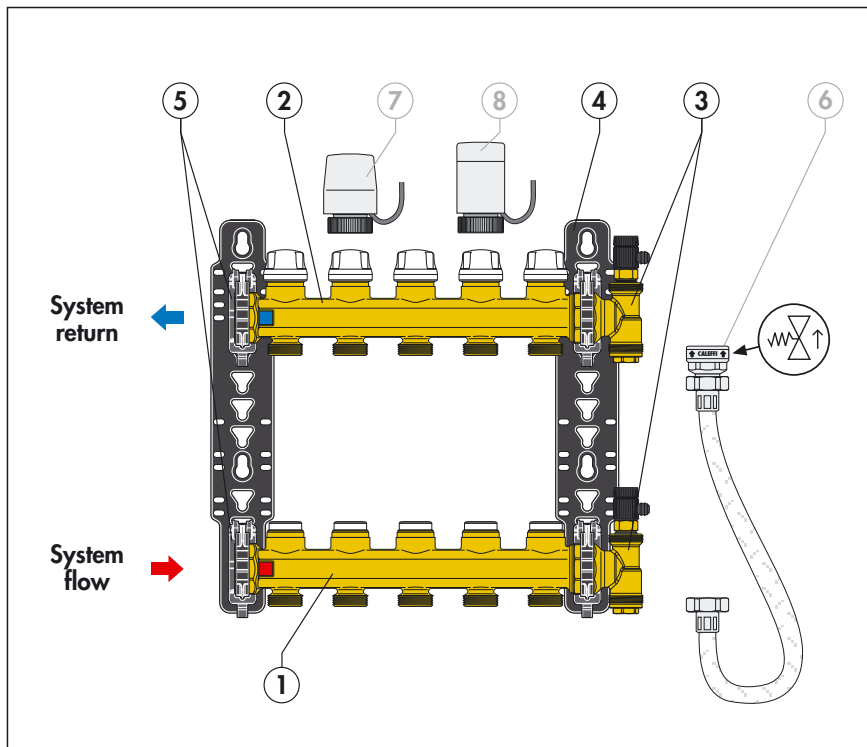
Manifold

Medium:	water, glycol solutions
Maximum percentage of glycol:	30%
Maximum working pressure:	10 bar
Working temperature range:	5-100°C
Hydraulic characteristics:	- Kv (m³/h) shut-off valves: 4,10
	- Kv (m³/h) lockshield valve totally open: 5,40
Main connections:	1" F
Outlets:	3/4" M - Ø 18
Centre distance:	50 mm

Fixed set differential by-pass

Medium:	water, glycol solutions
Maximum percentage of glycol:	30%
Maximum working pressure:	10 bar
Working temperature range:	0-100°C
Fixed set differential pressure:	20 kPa (2000 mm w.g.)
Threaded connections:	3/4" with captive nut F x 3/4" F

Characteristic components



Manifold unit complete with:

- 1) Flow manifold complete with lockshield valves for flow rate pre-adjustment
- 2) Return manifold complete with shut-off valves fitted for thermo-electric actuator
- 3) End fittings complete with manually operated air vents, double radial end fitting and plugs
- 4) Pair of mounting brackets for box or wall installation
- 5) Upper and lower manifold supports for brackets; may be assembled using the quick push-fit system

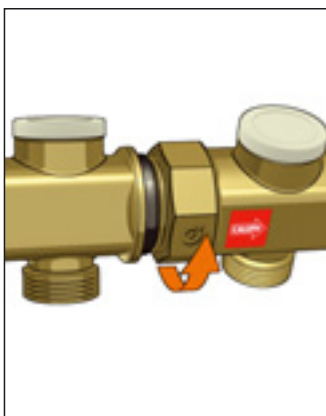
Optionals

- 6) Fixed set differential by-pass with flexible hose, code 662000
- 7) Thermo-electric actuator, 6561 series
- 8) Thermo-electric actuator with manual opening and position indicator, 6563 series

Construction details

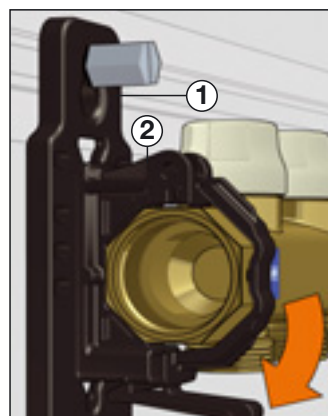
Modular manifolds

The manifolds are modular thanks to the threaded connections with O-ring seal. The threading is designed to create a perfect hydraulic seal and to align the relevant respective outlets correctly when the components are screwed on and fully tightened.



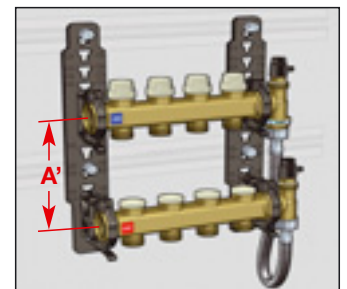
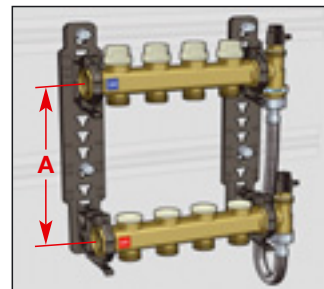
Bracket and manifold mounting

The manifolds are easily mounted onto the brackets (1) using the modular supports (2) supplied, without the aid of mounting accessories (nuts and wrenches).



Adjustable manifold centre distances

Each bracket has a series of slots so that the manifold supports can be attached manually. This means that the entire unit can be mounted quickly and that the main centre distances of the manifold (A-A') can be adjusted depending on the installation needs.



Flexible differential by-pass

The fixed set differential by-pass is available as an accessory, code 662000. It is used to control the distribution circuit head by limiting overpressure when thermostatic or thermo-electric valves are used.

The by-pass, which consists of a special flexible hose, is specifically designed for this type of manifold, is easy to install and adapts to the various centre distances chosen between the flow and return manifolds.

We reserve the right to make changes and improvements to the products and related data in this publication, at any time and without prior notice.